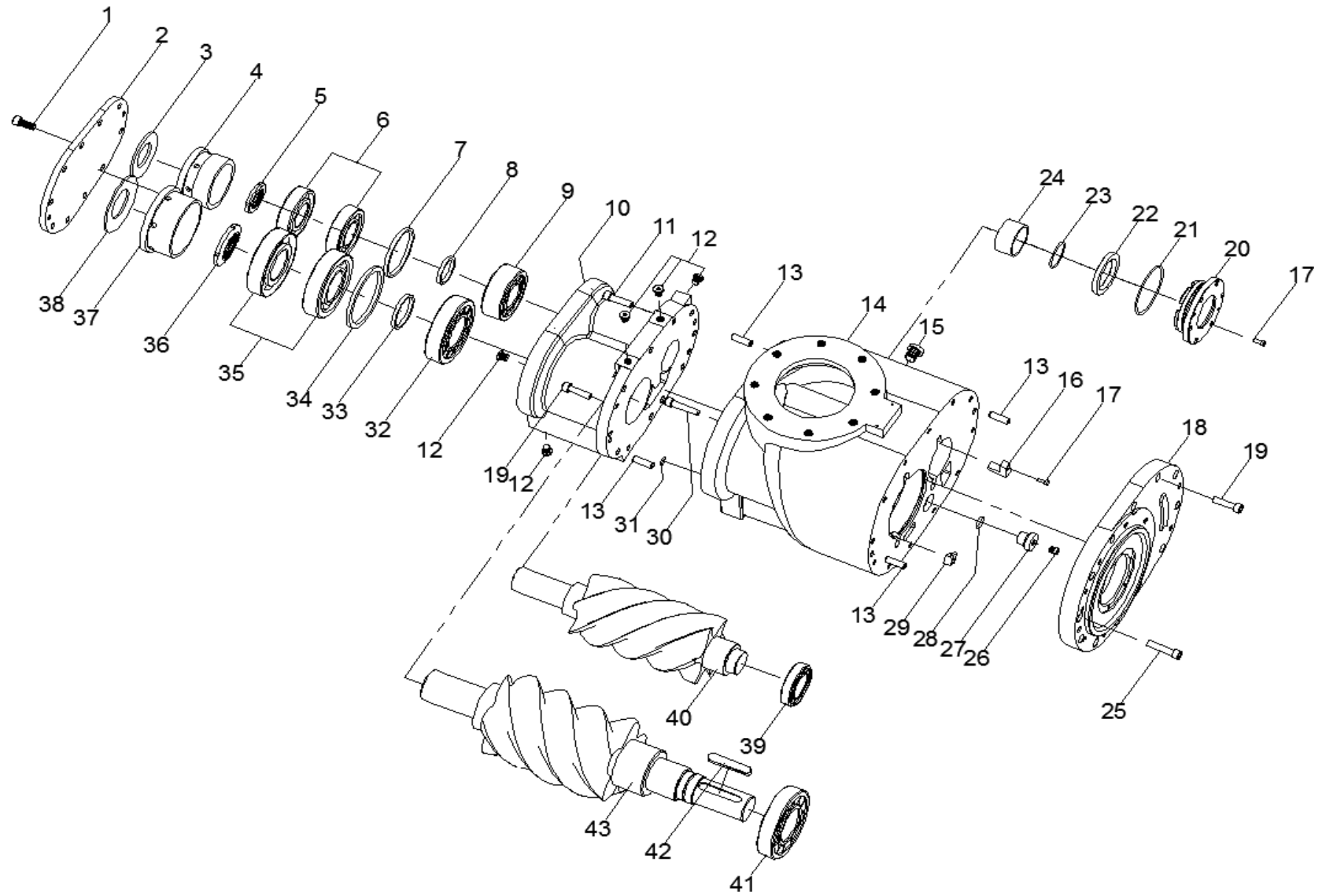


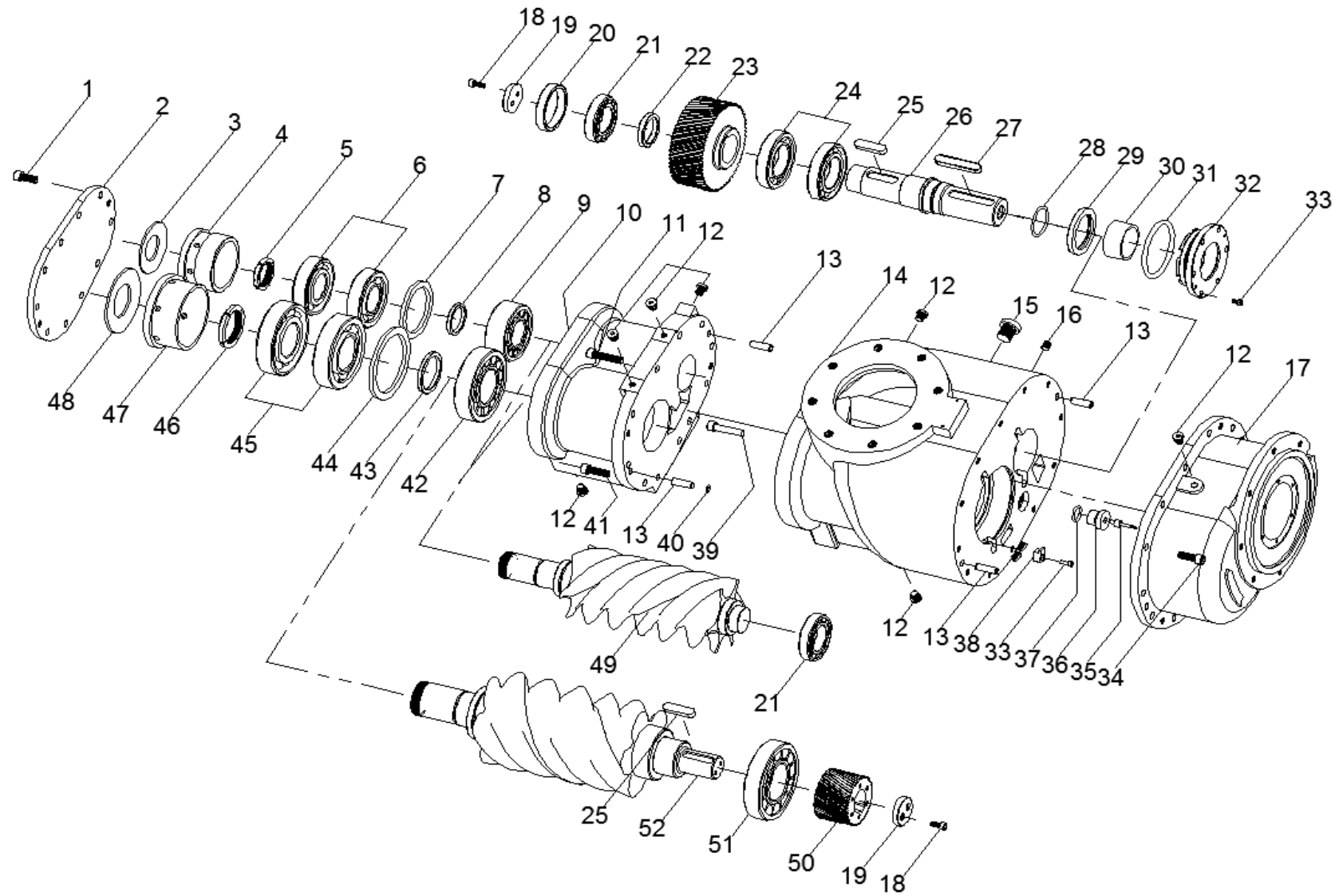
AA-780 Construction BOM



AA-780 Construction BOM

| Item | Number | Description | Quantity | Item | Number | Description | Quantity |
|------|---------------|-----------------------|----------|------|----------------|------------------|----------|
| 1 | 4301-112030-C | Bolt | 10 | 23 | 4201-VG055 | O-Ring | 1 |
| 2 | 3504-1101A | Discharge Cover Plate | 1 | 24 | 4807-03 | Bush | 1 |
| 3 | 4307-DB100 | Disc Spring | 1 | 25 | 4301-112040-C | Bolt | 6 |
| 4 | 3504-1111A | Bearing Spacer | 1 | 26 | 4305-105 | Bolt | 1 |
| 5 | 4302-250 | KM Nut | 1 | 27 | 3506-3117A | Conduit Coupling | 1 |
| 6 | 4101-7310BUO | Bearing | 2 | 28 | 4201-VP028 | O-Ring | 1 |
| 7 | 3504-113AA | Spacer Ring | 1 | 29 | 3506-1037A | Stop | 2 |
| 8 | 35304-1137AB | Spacer Ring | 1 | 30 | 4301-112055-C | Bolt | 2 |
| 9 | 4102-NU2310E | Bearing | 1 | 31 | 4201-VG012 | O-Ring | 1 |
| 10 | 35305-1131BD | Bearing Seat | 1 | 32 | 4102-NU313E | Bearing | 1 |
| 11 | 4301-112045-C | Bolt | 2 | 33 | 35304-1134AB | Spacer Ring | 1 |
| 12 | 4305-924 | Plug | 9 | 34 | 3504-113DA | Spacer Ring | 1 |
| 13 | 35304-1102AB | Parallel Pin | 4 | 35 | 4101-7313BUO | Bearing | 2 |
| 14 | 35305-1141DE | Housing | 1 | 36 | 4302-265 | KM Nut | 1 |
| 15 | 4305-928 | Plug | 1 | 37 | 35304-1109AB | Bearing Spacer | 1 |
| 16 | 3505-1037A | Stop | 2 | 38 | 4307-DB125 | Disc Spring | 1 |
| 17 | 4301-106016-C | Bolt | 10 | 39 | 4102-NJ210E | Bearing | 1 |
| 18 | 35304-1163AH | Front Cover Plate | 1 | 40 | 35305-1133BD-A | Female Rotor | 1 |
| 19 | 4301-112035-C | Bolt | 12 | 41 | 4102-NJ314E | Bearing | 1 |
| 20 | 3504-1161D | Seal Cover | 1 | 42 | 3504-1164A | Parallel Key | 1 |
| 21 | 4201-VG105 | O-Ring | 1 | 43 | 35305-1132BD-A | Male Rotor | 1 |
| 22 | 4203-068090L | Shaft Seal | 1 | | | | |

AA-780,I=X,XX Construction BOM



AA-780,I=X,XX Construction BOM

| Item | Number | Description | Quantity | Item | Number | Description | Quantity |
|------|---------------|-----------------------|----------|------|---------------|------------------|----------|
| 1 | 4301-112030-C | Bolt | 10 | 27 | 3504-1164A | Parallel Key | 1 |
| 2 | 3504-1101A | Discharge Cover Plate | 1 | 28 | 4201-VG055 | O-Ring | 1 |
| 3 | 4307-DB100 | Disc Spring | 1 | 29 | 4203-068090R | Shaft Seal | 1 |
| 4 | 3504-1111A | Bearing Spacer | 1 | 30 | 4807-03 | Bush | 1 |
| 5 | 4302-250 | KM Nut | 1 | 31 | 4201-VG105 | O-Ring | 1 |
| 6 | 4101-7310BUO | Bearing | 2 | 32 | 3504-1161D | Seal Cover | 1 |
| 7 | 3504-113AA | Spacer Ring | 1 | 33 | 4301-106016-C | Bolt | 10 |
| 8 | 35304-1137AB | Spacer Ring | 1 | 34 | 4301-112035-C | Bolt | 12 |
| 9 | 4102-NU2310E | Bearing | 1 | 35 | 3506-3118A | Adapter Sleeve | 1 |
| 10 | 35305-1131BD | Bearing Seat | 1 | 36 | 3506-3117A | Conduit Coupling | 1 |
| 11 | 4301-112045-C | Bolt | 2 | 37 | 4201-VP028 | O-Ring | 1 |
| 12 | 4305-924 | Plug | 9 | 38 | 3506-1037A | Stop | 2 |
| 13 | 35304-1102AB | Parallel Pin | 4 | 39 | 4301-112055-C | Bolt | 2 |
| 14 | 35305-1141DE | Housing | 1 | 40 | 4201-VG012 | O-Ring | 1 |
| 15 | 4305-928 | Plug | 1 | 41 | 4301-112040-C | Bolt | 6 |
| 16 | 4305-105 | Plug | 1 | 42 | 4102-NU313E | Bearing | 1 |
| 17 | 35306-3101B | Gear Box | 1 | 43 | 35304-1134AB | Spacer Ring | 1 |
| 18 | 4301-108020-C | Bolt | 4 | 44 | 3504-113DA | Spacer Ring | 1 |
| 19 | 3506-3116B | Fixed Plate | 2 | 45 | 4101-7313BUO | Bearing | 2 |



| Item | Number | Description | Quantity | Item | Number | Description | Quantity |
|-------------|---------------|--------------------|-----------------|-------------|----------------|--------------------|-----------------|
| 20 | 3506-3119A | Spacer Ring | 1 | 46 | 4302-265 | KM Nut | 1 |
| 21 | 4102-NJ210E | Bearing | 2 | 47 | 35304-1109AB | Bearing Spacer | 1 |
| 22 | 3506-3102A | Spacer Ring | 1 | 48 | 4307-DB125 | Disc Spring | 1 |
| 23 | 35306-3178C | Gear | 1 | 49 | 35305-1133BD-A | Female Rotor | 1 |
| 24 | 4102-7212BUO | Bearing | 2 | 50 | 35306-3240D | Pinion Gear | 1 |
| 25 | 3506-3114A | Gear Key | 2 | 51 | 4102-NJ314E | Bearing | 1 |
| 26 | 3506-3113B | Gear Shaft | 1 | 52 | 35306-1132DD | Male Rotor | 1 |